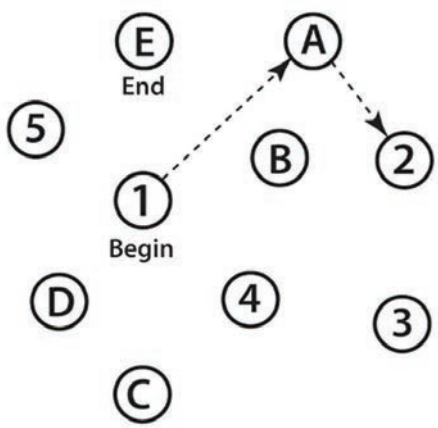
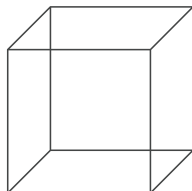
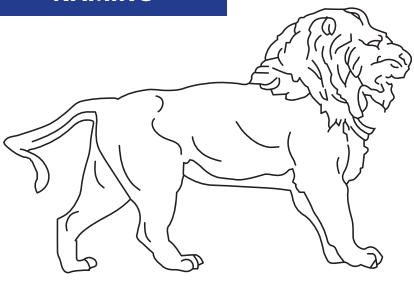
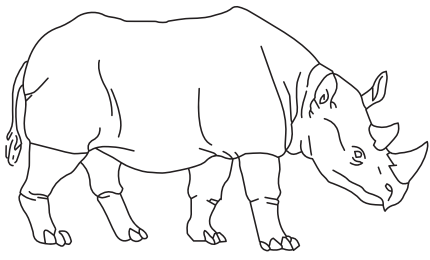
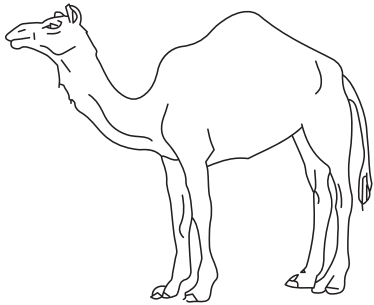


VISUOSPATIAL / EXECUTIVE		POINTS
 <div style="display: flex; justify-content: space-around; margin-top: 10px;"> [] [] </div>	 <p>Copy cube</p> <div style="display: flex; justify-content: space-around;"> [] [] [] </div>	<p>Draw CLOCK (Ten past eleven) (3 points)</p> <div style="display: flex; justify-content: space-around;"> [] [] [] </div> <p style="text-align: center; font-size: small;">Contour Numbers Hands</p>
___/5		

NAMING	POINTS
 <div style="display: flex; justify-content: space-around; margin-top: 10px;"> [] </div>	 <div style="display: flex; justify-content: space-around; margin-top: 10px;"> [] </div>
 <div style="display: flex; justify-content: space-around; margin-top: 10px;"> [] </div>	___/3

MEMORY		NO POINTS																		
Read list of words, subject must repeat them. Do 2 trials, even if 1st trial is successful. Do a recall after 5 minutes.	<table style="width:100%; border-collapse: collapse;"> <tr> <td style="width: 15%;"></td> <td style="width: 15%;">FACE</td> <td style="width: 15%;">VELVET</td> <td style="width: 15%;">CHURCH</td> <td style="width: 15%;">DAISY</td> <td style="width: 15%;">RED</td> </tr> <tr> <td style="text-align: center;">1ST TRIAL</td> <td></td> <td></td> <td></td> <td></td> <td></td> </tr> <tr> <td style="text-align: center;">2ND TRIAL</td> <td></td> <td></td> <td></td> <td></td> <td></td> </tr> </table>		FACE	VELVET	CHURCH	DAISY	RED	1 ST TRIAL						2 ND TRIAL						
	FACE	VELVET	CHURCH	DAISY	RED															
1 ST TRIAL																				
2 ND TRIAL																				

ATTENTION	POINTS
Read list of digits (1 digit/ sec.). Subject has to repeat them in the forward order. [] 2 1 8 5 4 Subject has to repeat them in the backward order. [] 7 4 2	___/2

Read list of letters. The subject must tap with his hand at each letter A. No points if ≥ 2 errors [] F B A C M N A A J K L B A F A K D E A A A J A M O F A A B	___/1
--	-------

Serial 7 subtraction starting at 100. [] 93 [] 86 [] 79 [] 72 [] 65 4 or 5 correct subtractions: 3 pts , 2 or 3 correct: 2 pts , 1 correct: 1 pt , 0 correct: 0	___/3
---	-------

LANGUAGE	POINTS
Repeat: I only know that John is the one to help today. [] The cat always hid under the couch when dogs were in the room. []	___/2

Fluency: Name maximum number of words in one minute that begin with the letter F. [] _____ (N ≥ 11 words)	___/1
---	-------

ABSTRACTION Similarity between e.g. orange - banana = fruit [] train - bicycle [] watch - ruler	___/2
--	-------

DELAYED RECALL	(MIS)		FACE	VELVET	CHURCH	DAISY	RED	Points for UNCUEDE recall only	POINTS
Memory Index Score (MIS)	X3	Has to recall words WITH NO CUE	[]	[]	[]	[]	[]	MIS = ___/15	___/5
	X2	Category cue							
	X1	Multiple choice cue							

ORIENTATION	[] Date	[] Month	[] Year	[] Day	[] Place	[] City	___/6
--------------------	----------	-----------	----------	---------	-----------	----------	-------